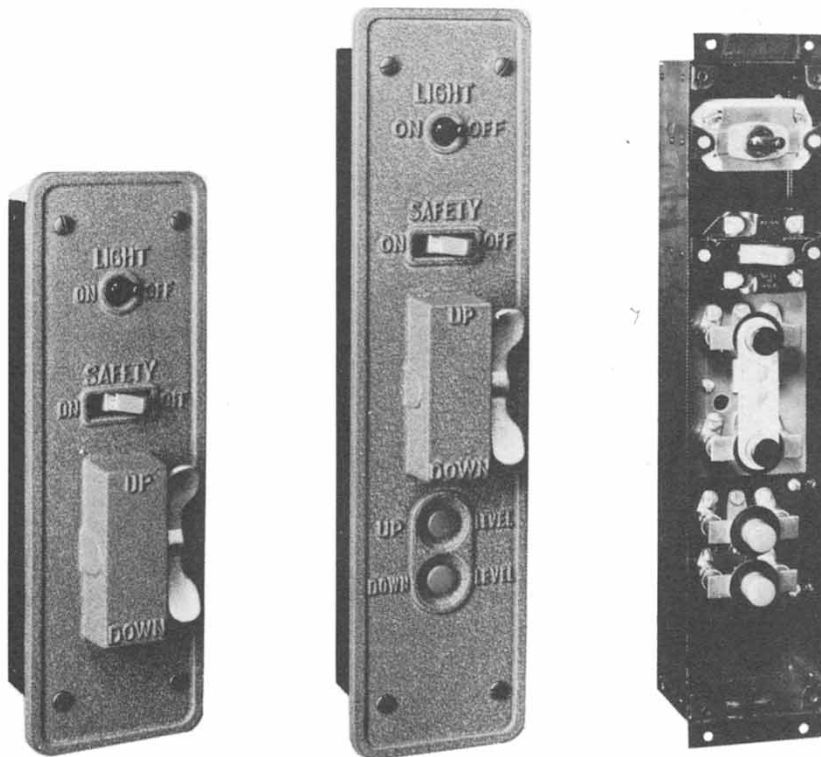


# TYPE "FT" Push Button Stations

for  
HOLD-DOWN PUSH BUTTON CONTROL ELEVATORS

600 Volts or Less  
A.C. or D.C.

Flush Mounting

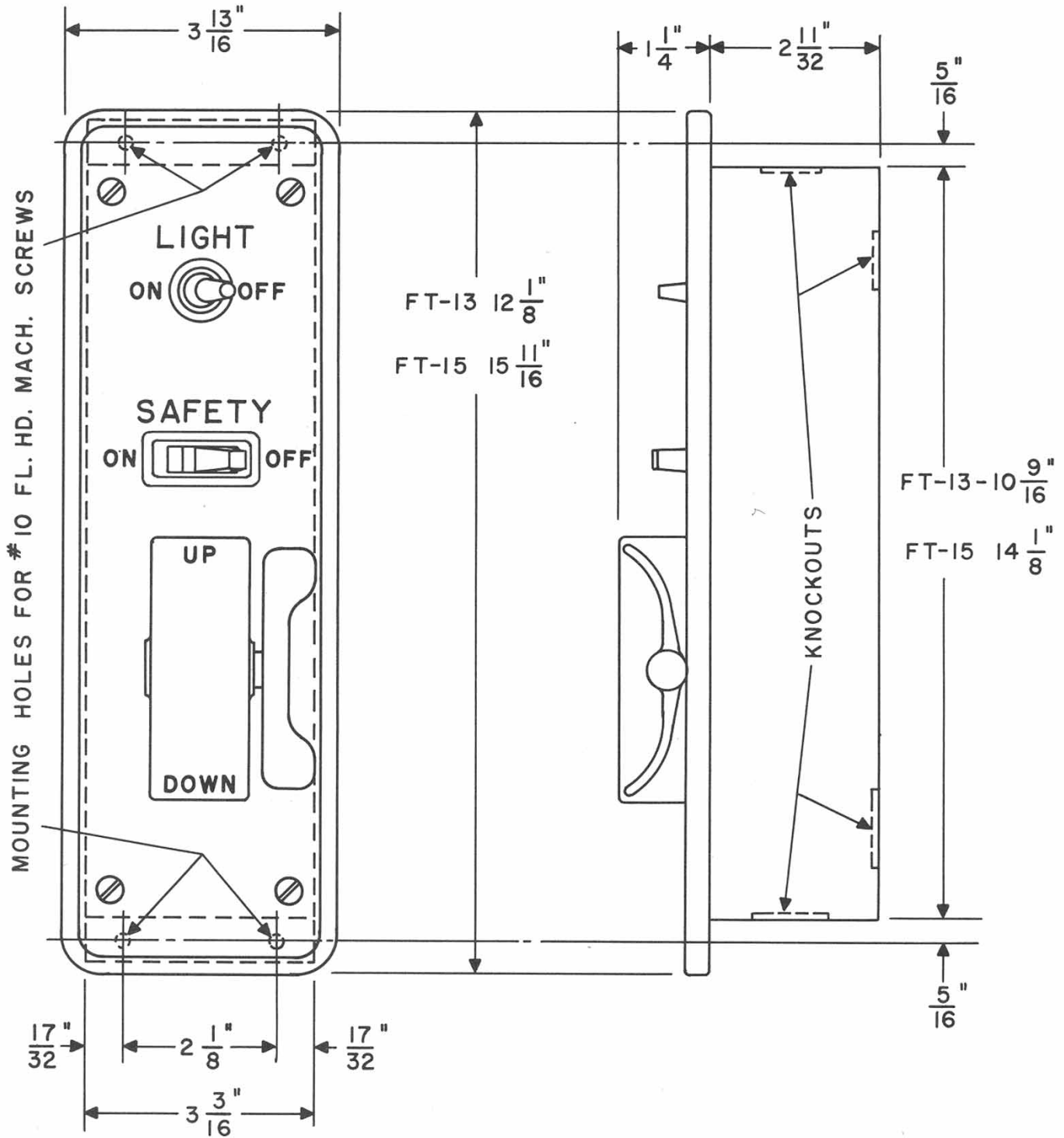


Type "FT-13"

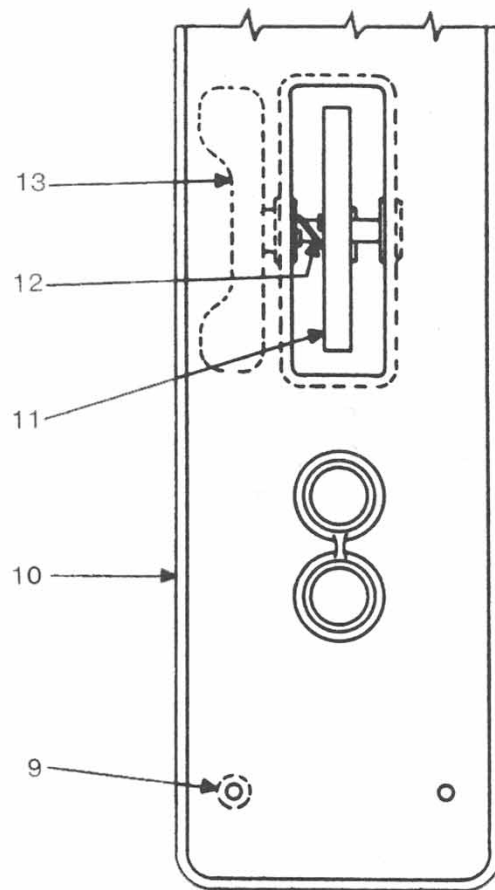
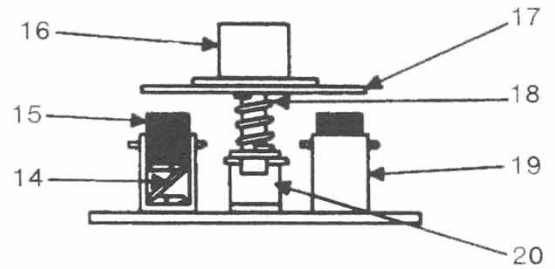
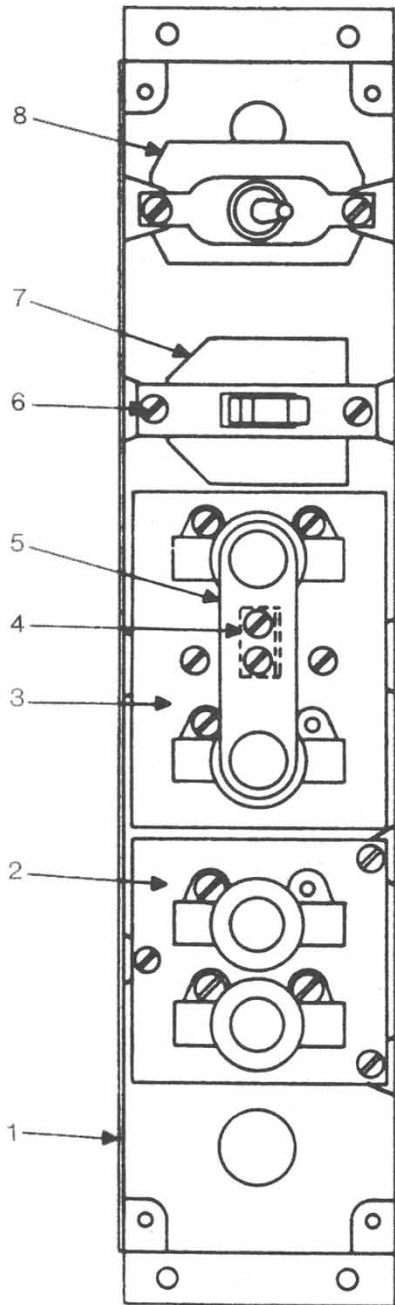
Type "FT-15"

Type "FT-15"  
(Cover Removed)

GENERAL DIMENSIONS  
OF  
TYPE "FT" PUSH BUTTON STATIONS



REPAIR PARTS FOR "FT-15" PUSHBUTTON STATION



ITEM NO.	PART NO.	DESCRIPTION
1.	72822	Box
2.	72819	Connection Block with Mounting Screws
3.	73420	Connection Block with Mounting Screws (Lever Operated)
4.	73422	Button Guide Support with Screws
5.	73412	Button Guide
6.	B-106	Mounting Screws for Switches
7.	72555	Safety Switch Complete
8.	72554	Light Switch Complete
9.	72396	Cover Screw (Statuary Bronze)
10.	72818	Cover

ITEM NO.	PART NO.	DESCRIPTION
11.	73408	Button Lever
12.	73407	Spring
13.	73421	Operating Lever with Shaft, Pin, & Cotter Pin
14.	72403	Spring for Carbon
15.	72390	Carbon Contact with Cotter Pin
16.	72393	Pushbutton (Black)
16A.	72476	Pushbutton (Green)
17.	72409	Movable Contact Strip
18.	72410	Button Spring
19.	72391	Carbon Holder with Mounting Screws
20.	72392	Button Guide with Mounting Screws